

Purpose: DEMO EXISTING STRUCTURES

MARINE FLOATS
313 East F St.
Tacoma, WA 98421
253.383.2740
<https://marinefloats.com/>

Proposed: DEMOLISH EXISTING CRANE TOWER, 38'X100' PIER, AND ASSOCIATED CREOSOTE PILING.

Datum: 0.0

Adjacent Property Owners:
(1) CITY OF PORT ANGELES (2) PORT OF PORT ANGELES
1720 MARINE DR N EDIZ HOOK MARINE DR, PORT ANGELES, WA
RD, PORT ANGELES, WA 98363

Job Address: 1815 MARINE DRIVE
PORT ANGELES, WA
Mail Address: SAME

Applicant: MCKINLEY PAPER CO.
In: PORT ANGELES HARBOR
At: PUGET SOUND

State: WA
County: CLALLUM
Date: 2/19/2025

Revision #: 1
Revision Date: 2/19/2025

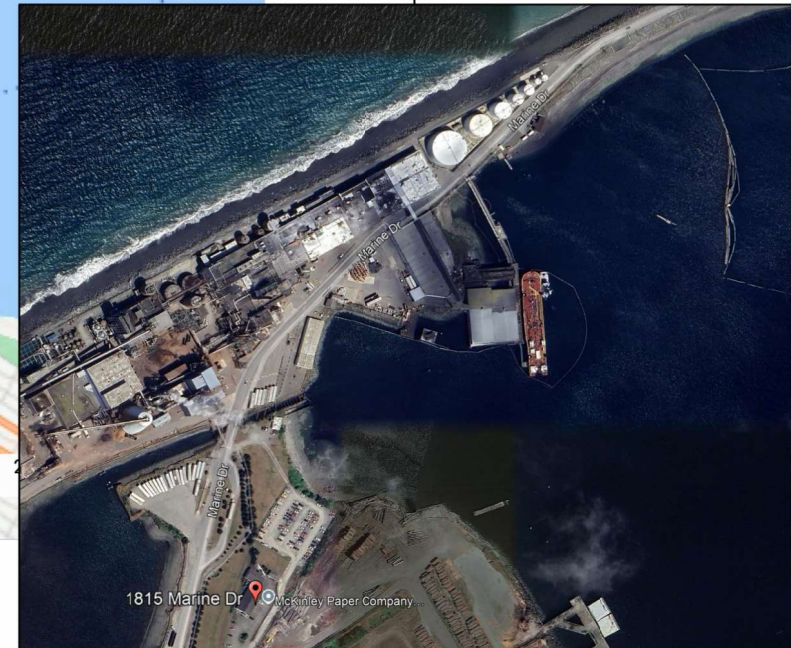
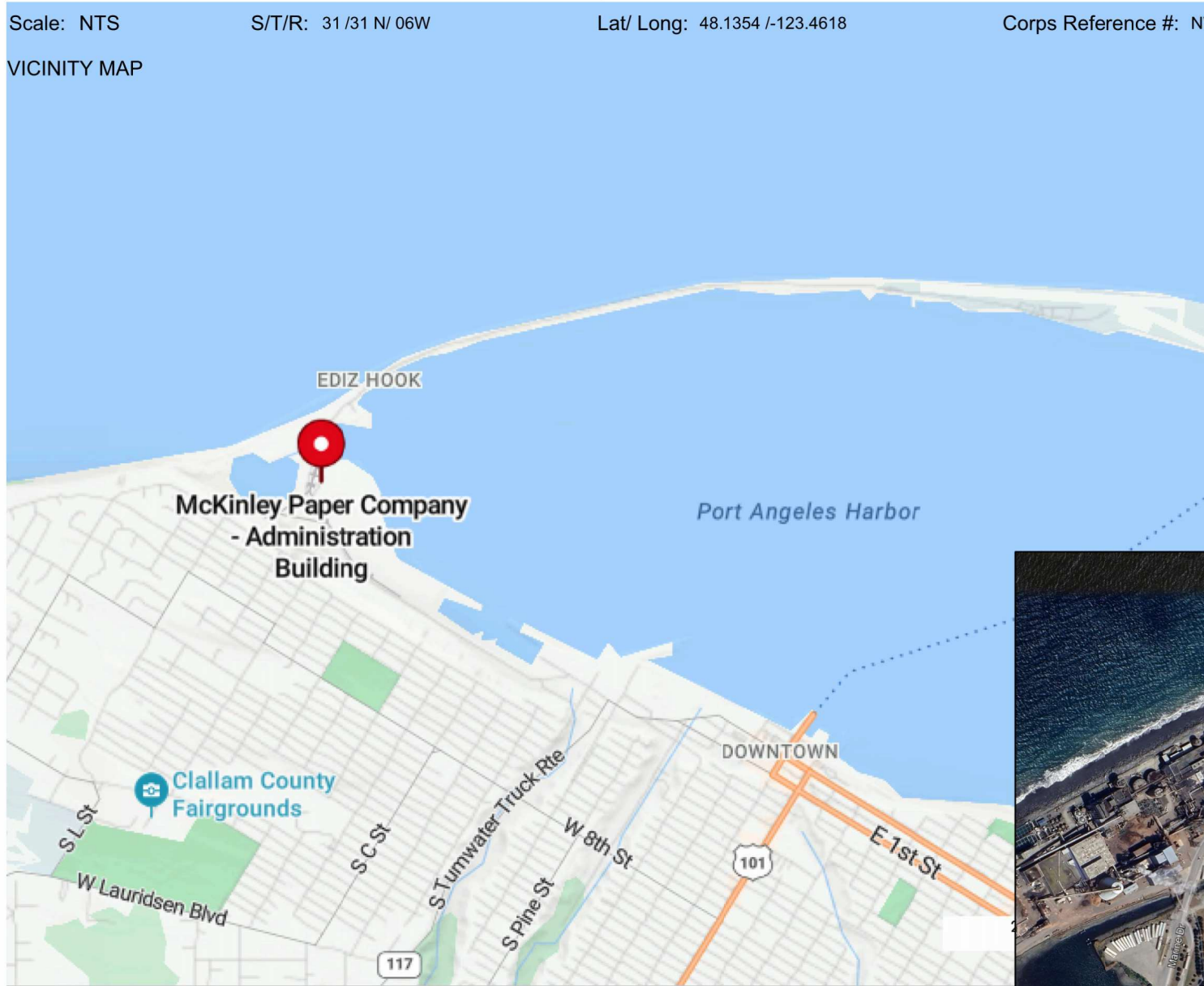
Scale: NTS

S/T/R: 31 / 31 N / 06W

Lat/ Long: 48.1354 / -123.4618

Corps Reference #: NWS-2025-

VICINITY MAP



Purpose: DEMO EXISTING STRUCTURES

MARINE FLOATS
313 East F St.
Tacoma, WA 98421
253.383.2740
https://marinefloats.com/

Proposed: DEMOLISH EXISTING CRANE TOWER, 38'X100' PIER, AND ASSOCIATED CREOSOTE PILING.

Datum: 0.0

Adjacent Property Owners:

- (1) CITY OF PORT ANGELES 1720 MARINE DR N EDIZ HOOK RD, PORT ANGELES, WA 98363
- (2) PORT OF PORT ANGELES MARINE DR, PORT ANGELES, WA 98363

Job Address: 1815 MARINE DRIVE PORT ANGELES, WA
Mail Address: SAME

Applicant: MCKINLEY PAPER CO.
In: PORT ANGELES HARBOR
At: PUGET SOUND

State: WA
County: CLALLUM
Date: 2/19/2025

Revision #: 1
Revision Date: 2/19/2025

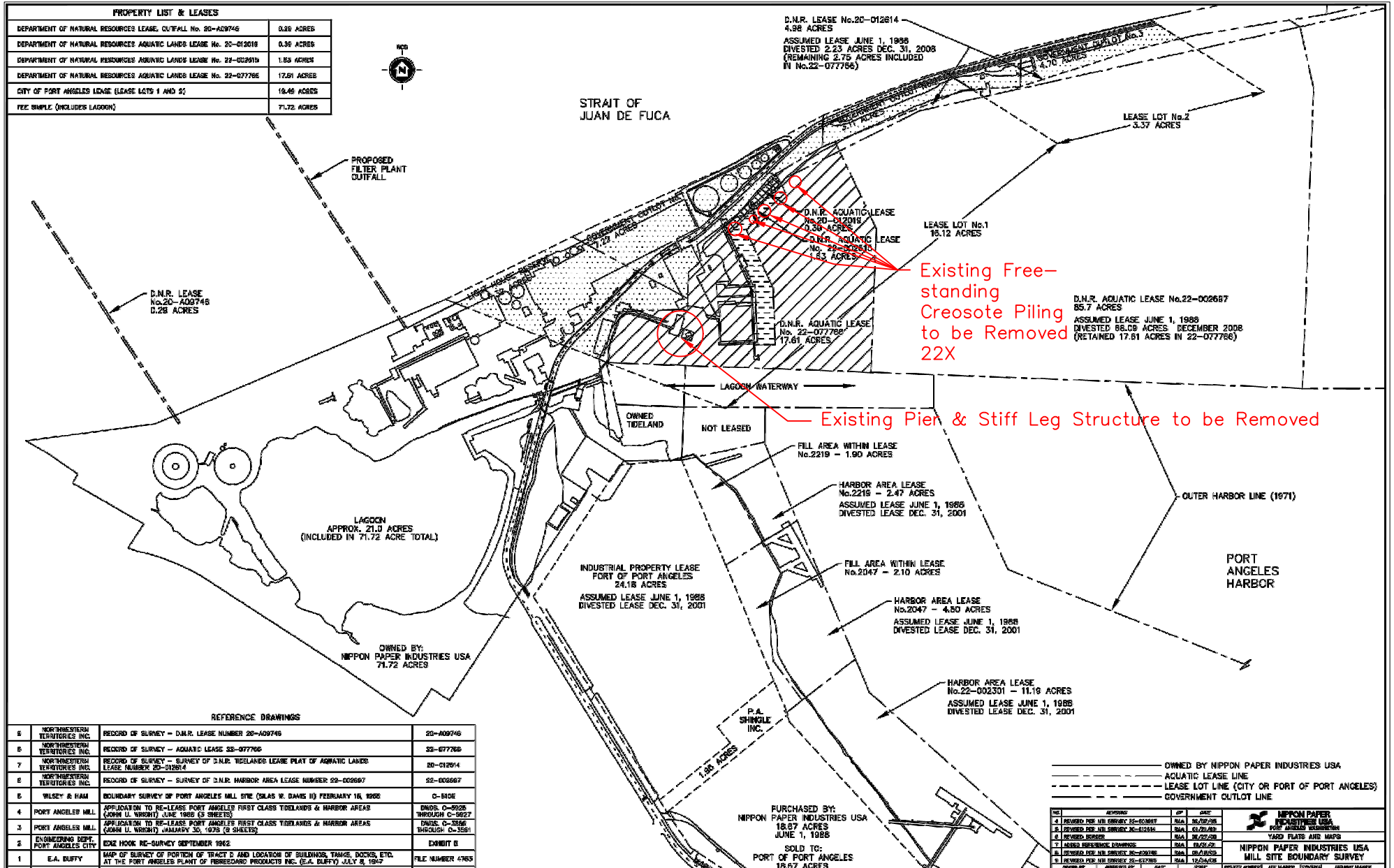
Scale: NTS

S/T/R: 31/31 N/06W

Lat/ Long: 48.1354 /-123.4618

Corps Reference #: NWS-2025-

SITE PLAN



Purpose: DEMO EXISTING STRUCTURES

MARINE FLOATS
313 East F St.
Tacoma, WA 98421
253.383.2740
<https://marinefloats.com/>

Proposed: DEMOLISH EXISTING CRANE TOWER, 38'X100' PIER, AND ASSOCIATED CREOSOTE PILING.

Datum: 0.0

Adjacent Property Owners:
(1) CITY OF PORT ANGELES 1720 MARINE DR N EDIZ HOOK RD, PORT ANGELES, WA
(2) PORT OF PORT ANGELES MARINE DR, PORT ANGELES, WA 98363

Job Address: 1815 MARINE DRIVE PORT ANGELES, WA
Mail Address: SAME

Applicant: MCKINLEY PAPER CO.
In: PORT ANGELES HARBOR
At: PUGET SOUND

State: WA
County: CLALLUM
Date: 2/19/2025

Revision #: 1
Revision Date: 2/19/2025

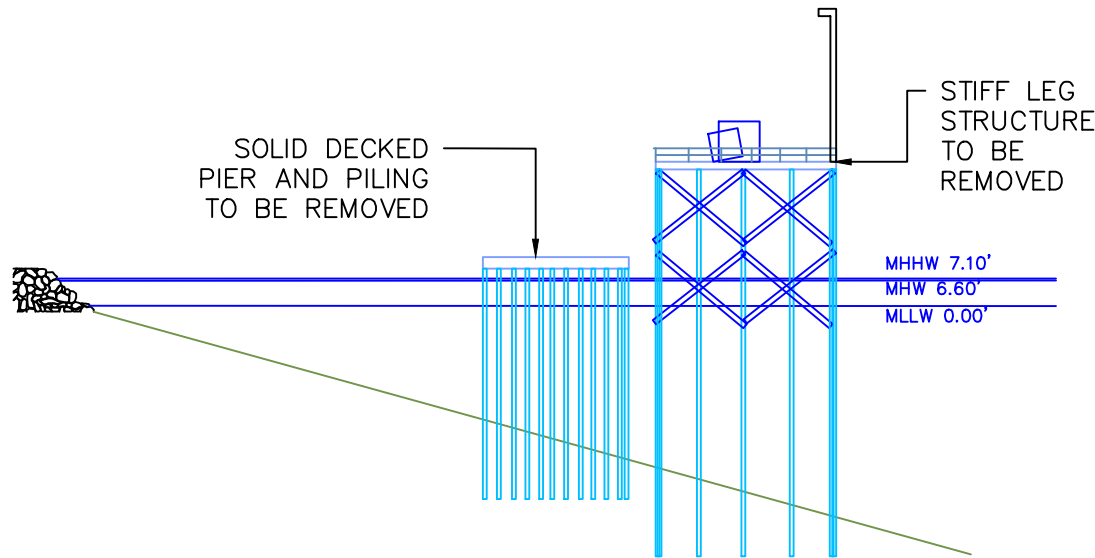
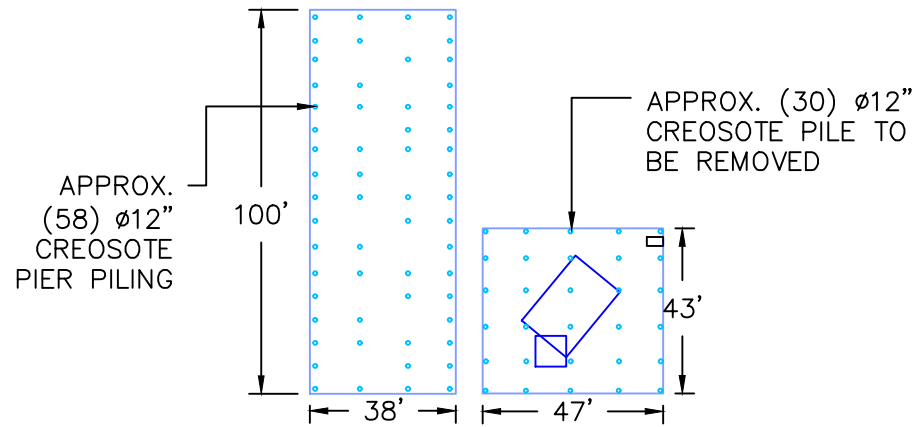
Scale: 1"=50'

S/T/R: 31/31 N/06W

Lat/ Long: 48.1354 /-123.4618

Corps Reference #: NWS-2025-

EXISTING CROSS SECTION- PLAN VIEW - FIXED PIER AND STIFF LEG STRUCTURE



Purpose: DEMO EXISTING STRUCTURES Datum: 0.0	MARINE FLOATS 313 East F St. Tacoma, WA 98421 253.383.2740 https://marinefloats.com/	Proposed: DEMOLISH EXISTING CRANE TOWER, 38'X100' PIER, AND ASSOCIATED CREOSOTE PILING.		
Adjacent Property Owners: (1) CITY OF PORT ANGELES 1720 MARINE DR N EDIZ HOOK RD, PORT ANGELES, WA (2) PORT OF PORT ANGELES MARINE DR, PORT ANGELES, WA 98363		Job Address: 1815 MARINE DRIVE PORT ANGELES, WA Mail Address: SAME	Applicant: MCKINLEY PAPER CO. In: PORT ANGELES HARBOR At: PUGET SOUND	State: WA County: CLALLUM Date: 2/19/2025 Revision #: 1 Revision Date: 2/19/2025 Page 4 of 4

Scale: 1/16"=1' S/T/R: 31/31 N/06W Lat/ Long: 48.1354 /-123.4618 Corps Reference #: NWS-2025-

EXISTING CROSS SECTION- PLAN VIEW - DERELICT PILING

